



TABLE OF CONTENTS:

GAUGE CARRIER ..... 3

7-1/2" ROLLER CENTRALIZER ..... 4

3-7/8" CENTRALIZER..... 5

7-3/4" CENTRALIZER..... 6

INSTRUMENT SLIDE ..... 7

OVERSHOT WITH GRAPNEL ..... 8

OVERSHOT GRAB ..... 9

WIRELINER GRAPNEL..... 10

MAXIMUM REGISTERING THERMOMETERS ..... 11

SHOCK ABSORBER..... 12

TUBE TYPE JAR..... 13

SINKER BAR ..... 14

EXTENSION BAR ..... 15

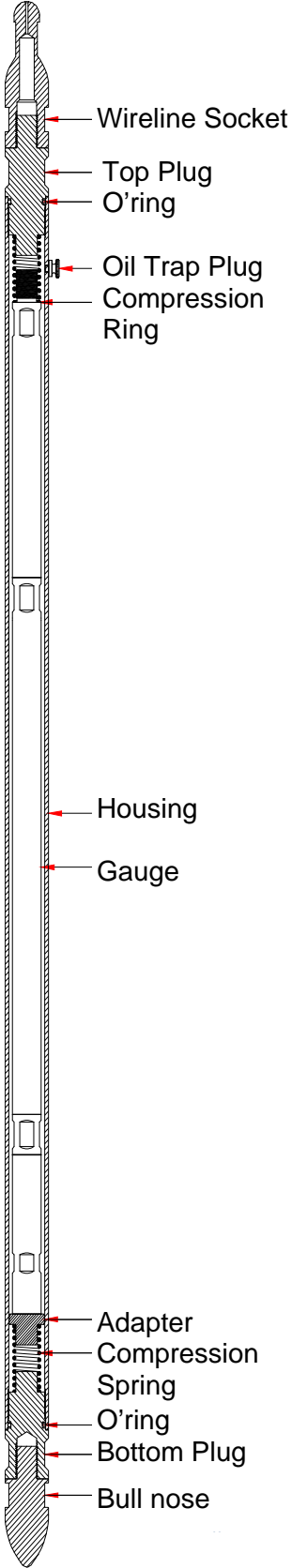
UNIVERSAL JOINT..... 16

TANDEM SUB, ADAPTER, CROSSOVER ..... 17



**Kuster, a Probe Company**  
2900 E. 29th Street, Long Beach, CA 90806  
[www.kusterco.com](http://www.kusterco.com)  
[www.probe1.com](http://www.probe1.com)

# GAUGE CARRIER

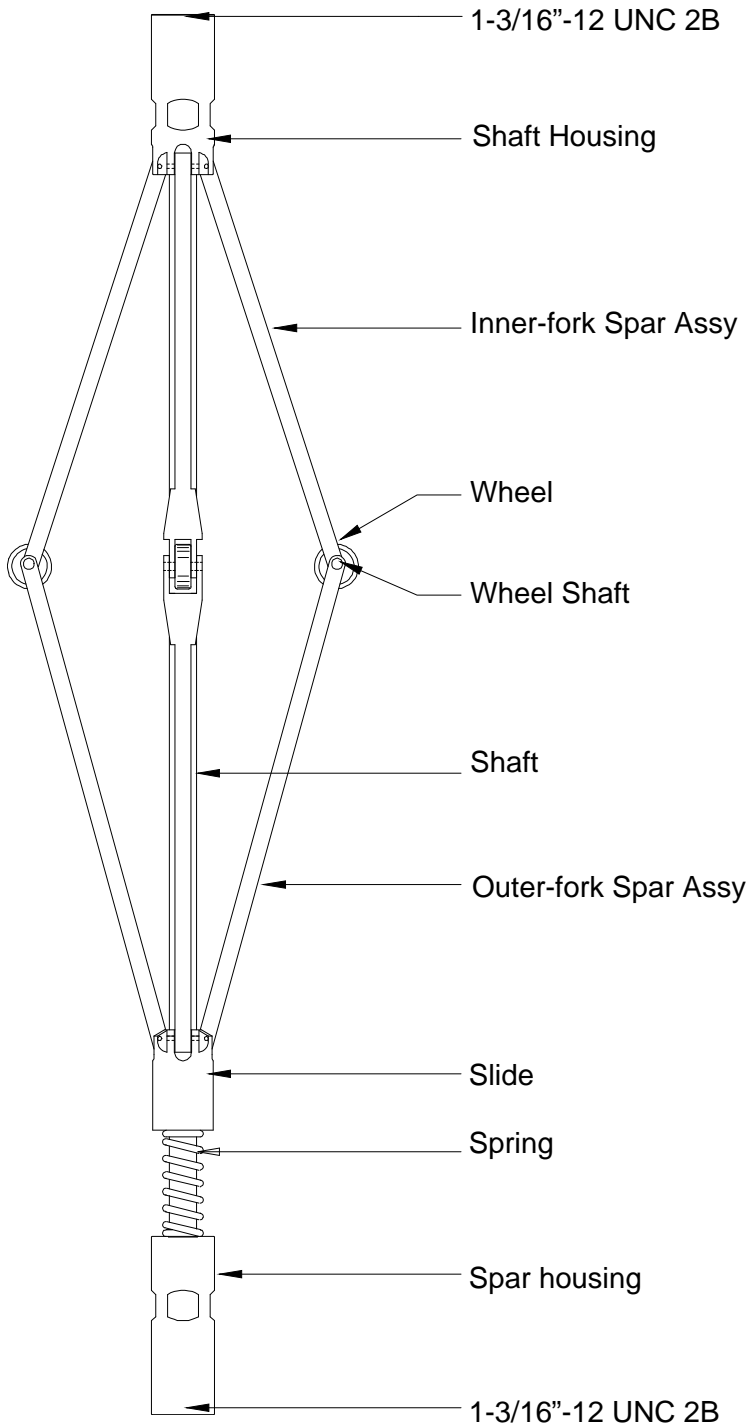


Carrier diameter	Gauge diameter	Part number
1-1/4"	3/4"	18500-825
1-1/2"	1.00"	18500-850
1-3/4"	1-1/4"	18500-875



**Kuster, a Probe Company**  
 2900 E. 29th Street, Long Beach, CA 90806  
[www.kusterco.com](http://www.kusterco.com)  
[www.probe1.com](http://www.probe1.com)

# 7-1/2" ROLLER CENTRALIZER

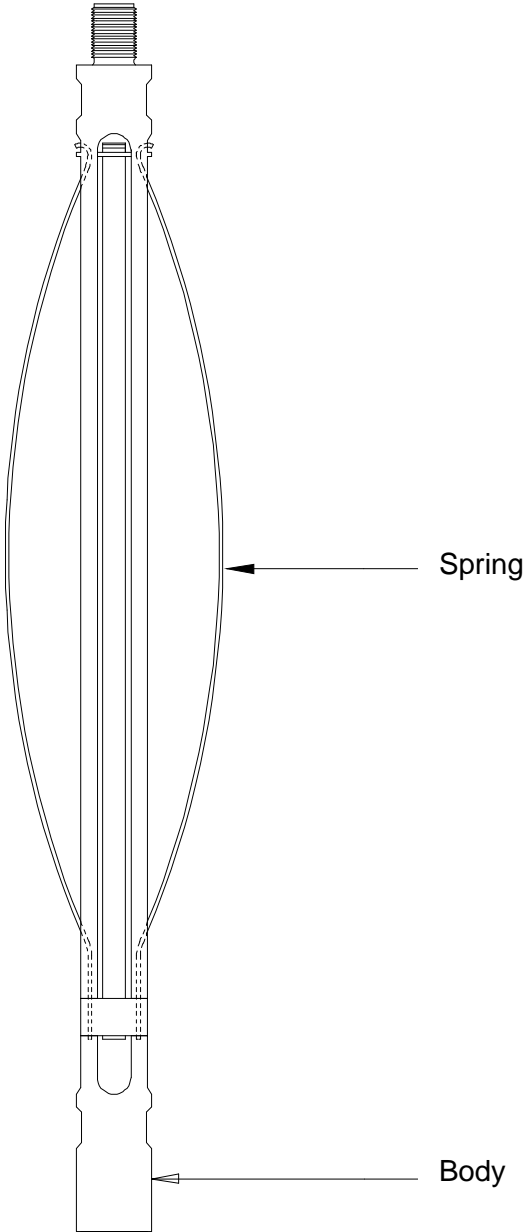


<b>Diameter opened</b>	7-1/2"
<b>Diameter folded</b>	2-1/4"
<b>Part Number</b>	18600-585



**Kuster, a Probe Company**  
 2900 E. 29th Street, Long Beach, CA 90806  
[www.kusterco.com](http://www.kusterco.com)  
[www.probe1.com](http://www.probe1.com)

# 3-7/8" CENTRALIZER

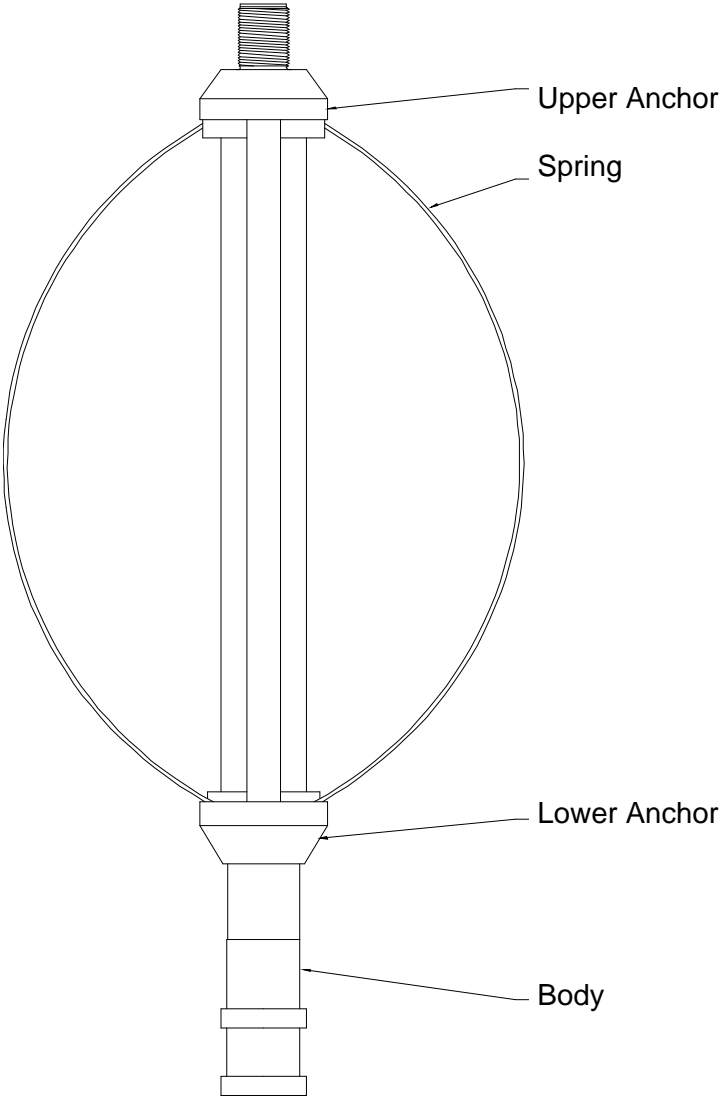


Body O.D.	Threads	Part Numbers
1"	3/4-16 Pin x 3/4-16 Box	11228-101
1-1/4"	3/4-16 Pin x 3/4-16 Box	11232-101
1-1/4"	7/8 Pin x 3/4 Box	11232-102
1-1/4"	5/8 API Pin x 5/8 API Box	11232-103
1-1/4"	5/8 API Pin x 3/4 Box	11232-104



**Kuster, a Probe Company**  
 2900 E. 29th Street, Long Beach, CA 90806  
[www.kusterco.com](http://www.kusterco.com)  
[www.probe1.com](http://www.probe1.com)

# 7-3/4" CENTRALIZER

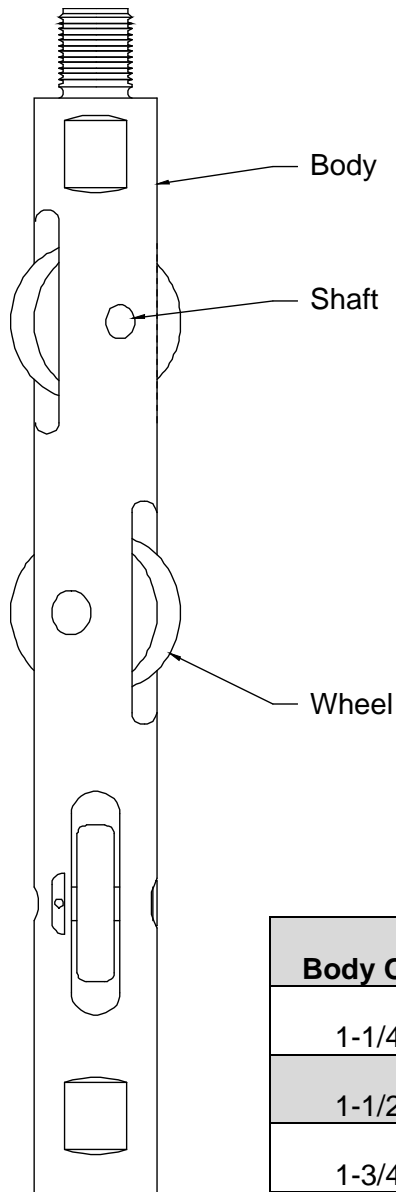


Anchor O.D.	Threads	Part Numbers
1-7/8"	3/4-16 Pin x 3/4-16 Box	11234-101



#  
**Kuster, a Probe Company**  
2900 E. 29th Street, Long Beach, CA 90806  
[www.kusterco.com](http://www.kusterco.com)  
[www.probe1.com](http://www.probe1.com)

# INSTRUMENT SLIDE

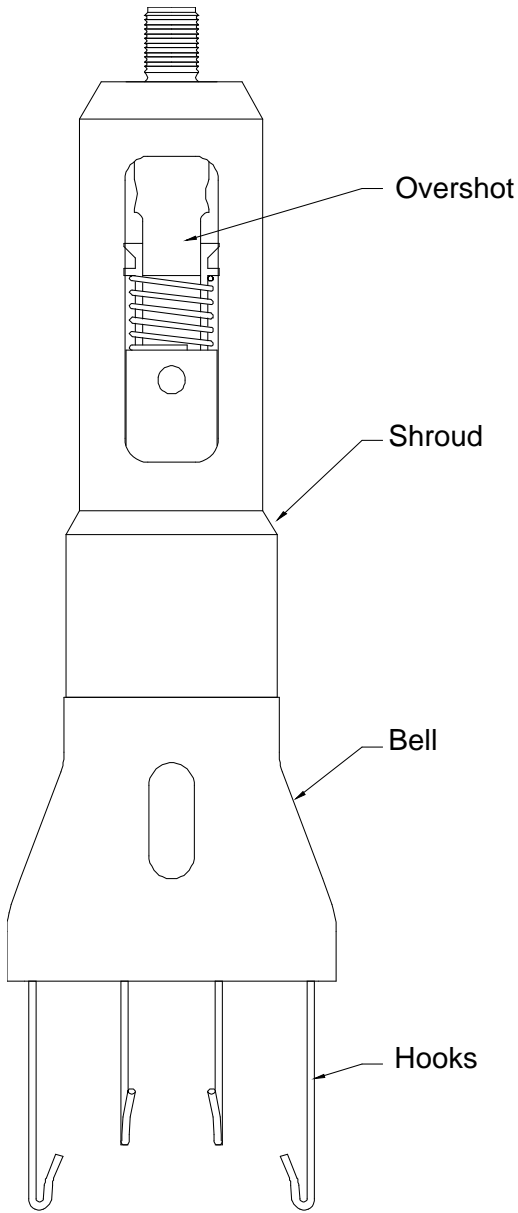


Body O.D.	Wheel O.D.	Threads	Part Numbers
1-1/4"	1-3/4"	3/4-16 Pin x 3/4-16 Box	10320-101
1-1/2"	2"	3/4-16 Pin x 3/4-16 Box	10320-102
1-3/4"	2-1/4"	3/4-16 Pin x 3/4-16 Box	10320-103



**Kuster, a Probe Company**  
 2900 E. 29th Street, Long Beach, CA 90806  
[www.kusterco.com](http://www.kusterco.com)  
[www.probe1.com](http://www.probe1.com)

# OVERSHOT WITH GRAPNEL

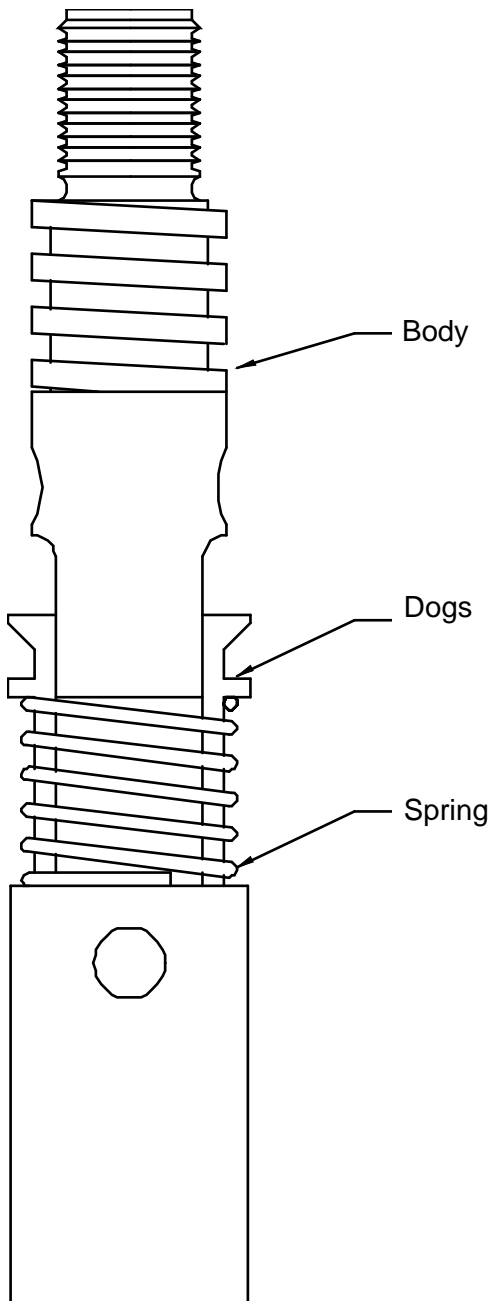


O.D.	Part Numbers
4-1/2"	11257-101
6-1/2"	11257-102



**Kuster, a Probe Company**  
2900 E. 29th Street, Long Beach, CA 90806  
[www.kusterco.com](http://www.kusterco.com)  
[www.probe1.com](http://www.probe1.com)

# OVERSHOT GRAB

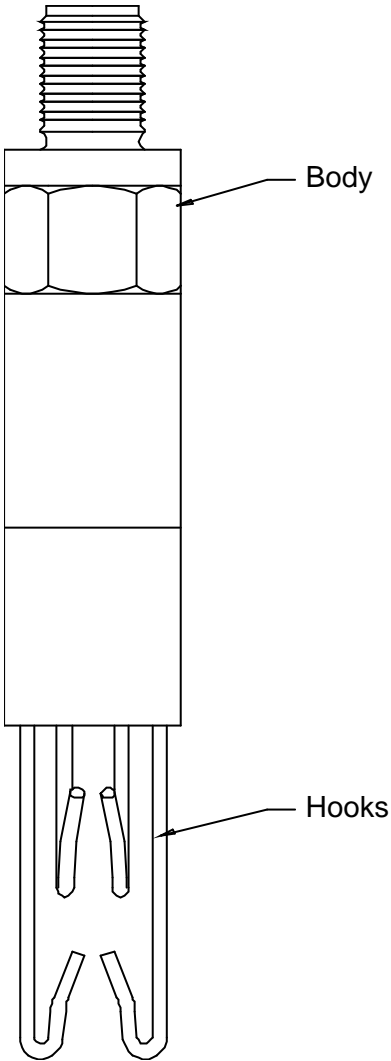


O.D.	Threads	Part Numbers
1-1/4"	3/4-16	11251-101
1-1/4"	5/8 API	11251-102
1-3/4"	1-3/4 HK	11271-101
3/4"	1/2-20	11281-101



**Kuster, a Probe Company**  
2900 E. 29th Street, Long Beach, CA 90806  
[www.kusterco.com](http://www.kusterco.com)  
[www.probe1.com](http://www.probe1.com)

# WIRELINE GRAPNEL

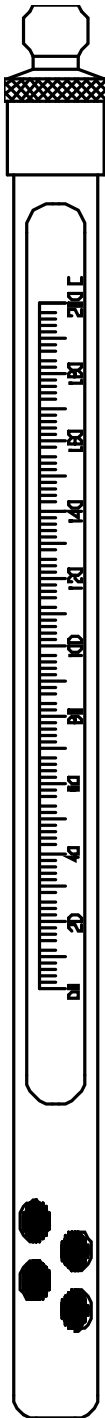


O.D.	Threads	Part Numbers
1-1/4"	3/4-16	11248-101
1-1/4"	5/8 API	11248-102



**Kuster, a Probe Company**  
2900 E. 29th Street, Long Beach, CA 90806  
[www.kusterco.com](http://www.kusterco.com)  
[www.probe1.com](http://www.probe1.com)

# MAXIMUM REGISTERING THERMOMETERS

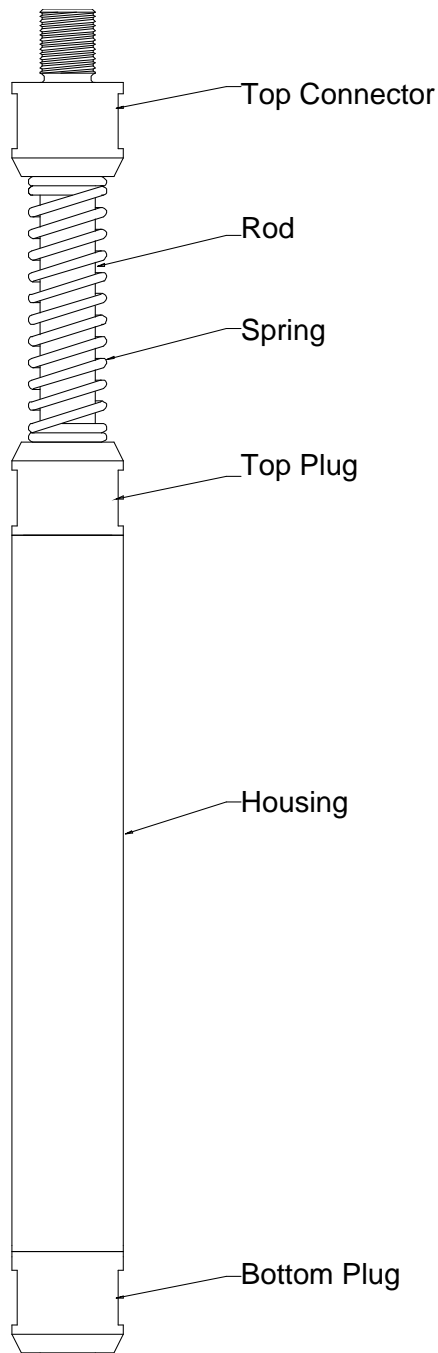


Temp. Range	Thermometer Only	Thermometer w/ Armor
0-250°F	11130-001	11130-101
-15-105°C	11130-002	11130-102
0-100°C	11130-005	11130-105
40-150°C	11130-006	11130-106
100-300°F	11131-001	11131-101
200-400°F	11132-001	11132-101
100-200°C	11132-002	11132-102
200-500°F	11133-001	11133-101
100-300°C	11133-002	11133-102



**Kuster, a Probe Company**  
 2900 E. 29th Street, Long Beach, CA 90806  
[www.kusterco.com](http://www.kusterco.com)  
[www.probe1.com](http://www.probe1.com)

# SHOCK ABSORBER

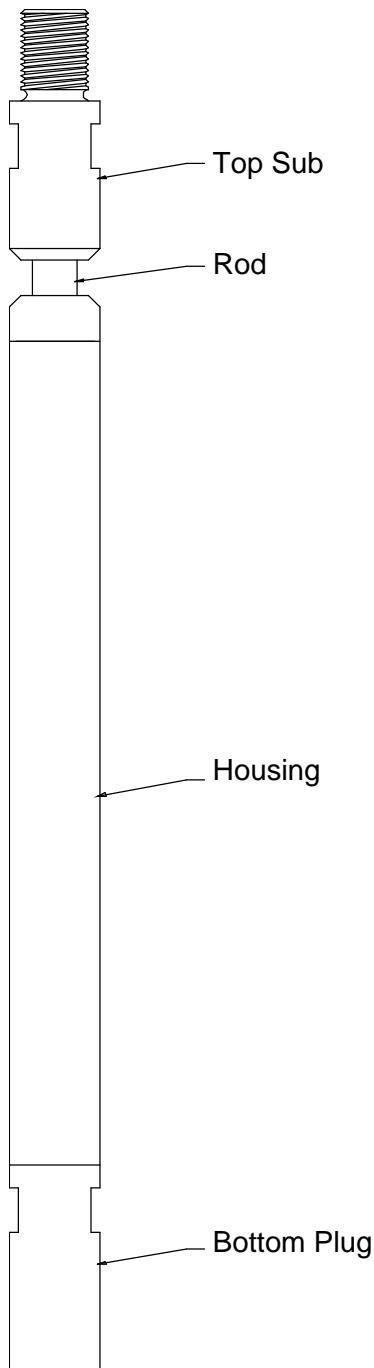


O.D.	Thread	Material	Part Number
1-1/2"	3/4"-16	4130	10315-101
1-1/2"	3/4"-16	Stainless Steel	10316-101



**Kuster, a Probe Company**  
2900 E. 29th Street, Long Beach, CA 90806  
[www.kusterco.com](http://www.kusterco.com)  
[www.probe1.com](http://www.probe1.com)

# TUBE TYPE JAR

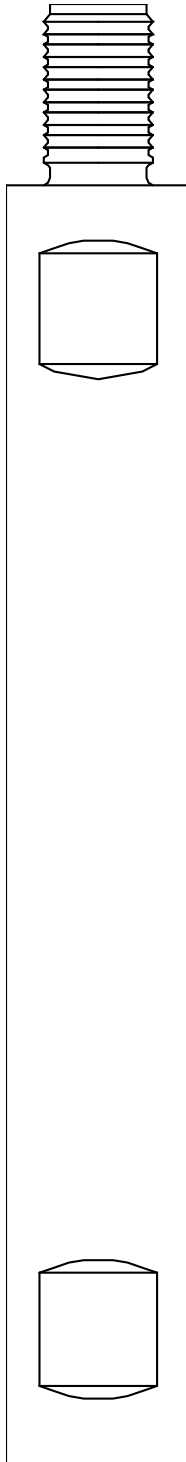


O.D.	Stroke	Thread	Part Number
3/4"	4"	1/2"-20	484-101
3/4"	12"	1/2"-20	484-102
1"	6"	3/4"-16	11220-101
1-1/4"	6"	3/4"-16	11221-101
1-1/4"	6"	5/8" API	11221-102
1-1/4"	6"	3/4"-16 Box-5/8 API Pin	11221-103
1-1/4"	6"	5/8"API Box-3/4"-16 Pin	11221-104
1-1/4"	6"	3/4"-16 Box-3/4"-16 Pin	11221-201 SS



**Kuster, a Probe Company**  
 2900 E. 29th Street, Long Beach, CA 90806  
[www.kusterco.com](http://www.kusterco.com)  
[www.probe1.com](http://www.probe1.com)

# SINKER BAR



Material	O.D.	Length, ft	Weight, lb	Thread	Use	Part Number
303SS	3/4"	1	1.5	1/2"-20	K4	480-001
303SS	3/4"	2	3	1/2"-20	K4	480-002
303SS	3/4"	3	4.5	1/2"-20	K4	480-003
Lead Fill	3/4"	1	2	1/2"-20	K4	481-101
Lead Fill	3/4"	2	4	1/2"-20	K4	481-102
Lead Fill	3/4"	3	6	1/2"-20	K4	481-103
303SS	1"	1	2.7	3/4"-16	K2	11201-001
303SS	1"	2	5.4	3/4"-16	K2	11201-002
303SS	1"	3	8.1	3/4"-16	K2	11201-003
303SS	1"	4	10.8	3/4"-16	K2	11201-004
Lead Fill	1"	1	3.3	3/4"-16	K2	11203-101
Lead Fill	1"	2	6.6	3/4"-16	K2	11203-102
Lead Fill	1"	3	9.9	3/4"-16	K2	11203-103
Lead Fill	1"	4	13.2	3/4"-16	K2	11203-104
303SS	1-1/4"	1	4.1	3/4"-16	KPG	11205-001
303SS	1-1/4"	2	8.2	3/4"-16	KPG	11205-002
303SS	1-1/4"	3	12.3	3/4"-16	KPG	11205-003
303SS	1-1/4"	4	16.4	3/4"-16	KPG	11205-004
303SS	1-1/4"	5	20.5	3/4"-16	KPG	11205-005
303SS	1-1/4"	6	24.6	3/4"-16	KPG	11205-006
303SS	1-1/4"	1	4.1	5/8 API	KPG	11205-007
303SS	1-1/4"	2	8.2	5/8 API	KPG	11205-008
303SS	1-1/4"	3	12.3	5/8 API	KPG	11205-009
303SS	1-1/4"	4	16.4	5/8 API	KPG	11205-010
303SS	1-1/4"	5	20.5	5/8 API	KPG	11205-011
303SS	1-1/4"	6	24.6	5/8 API	KPG	11205-012
Brass	1-1/4"	4	18.4	5/8 API	KPG	11205-017
Lead Fill	1-1/4"	1	5.1	3/4"-16	KPG	11207-101
Lead Fill	1-1/4"	2	10.7	3/4"-16	KPG	11207-102
Lead Fill	1-1/4"	3	16.4	3/4"-16	KPG	11207-103
Lead Fill	1-1/4"	4	22.1	3/4"-16	KPG	11207-104
Lead Fill	1-1/4"	5	27.7	3/4"-16	KPG	11207-105
Lead Fill	1-1/4"	6	33.4	3/4"-16	KPG	11207-106
Lead Fill	1-1/4"	1	5.0	5/8 API	KPG	11207-107
Lead Fill	1-1/4"	2	10.6	5/8 API	KPG	11207-108
Lead Fill	1-1/4"	3	16.3	5/8 API	KPG	11207-109
Lead Fill	1-1/4"	4	22.0	5/8 API	KPG	11207-110
Lead Fill	1-1/4"	5	27.6	5/8 API	KPG	11207-111
Lead Fill	1-1/4"	6	33.3	5/8 API	KPG	11207-112



**Kuster, a Probe Company**  
 2900 E. 29th Street, Long Beach, CA 90806  
[www.kusterco.com](http://www.kusterco.com)  
[www.probe1.com](http://www.probe1.com)

# EXTENSION BAR

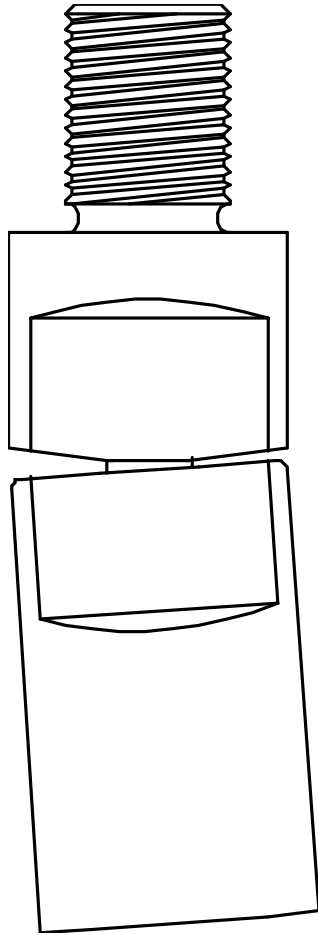


O.D.	Length, ft	Thread	Part No.
1-1/4"	2	3/4"-16	11205-014
1-1/4"	3	3/4"-16	11205-015
1-1/4"	4	3/4"-16	11205-016



**Kuster, a Probe Company**  
2900 E. 29th Street, Long Beach, CA 90806  
[www.kusterco.com](http://www.kusterco.com)  
[www.probe1.com](http://www.probe1.com)

# UNIVERSAL JOINT

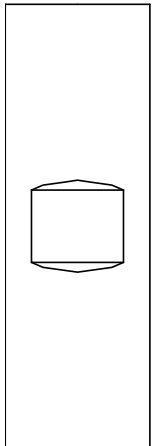
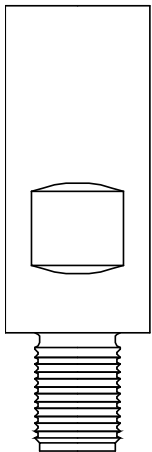
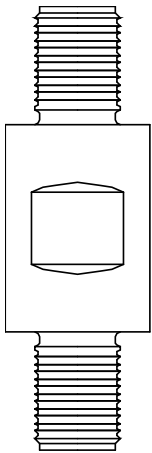


O.D.	Thread	Part Number
3/4"	Box 1/2"-20 x Pin 1/2"-20	485-101
1"	Box 3/4"-16 x Pin 3/4"-16	11211-101
1"	Box 3/4"-16 x Pin 5/8 API	11211-102
1-1/4"	Box 3/4"-16 x Box 3/4"-16	11213-101
1-1/4"	Box 3/4"-16 x Pin 3/4"-16	11213-102
1-1/4"	Box 3/4"-16 x Box 1.082-20	11213-103
1-1/4"	Box 3/4"-16 x Box 5/8 API	11213-104
1-1/4"	Box 3/4"-16 x Pin 5/8 API	11213-105
1-1/4"	Box 5/8 API x Pin 5/8 API	11213-106



**Kuster, a Probe Company**  
 2900 E. 29th Street, Long Beach, CA 90806  
[www.kusterco.com](http://www.kusterco.com)  
[www.probe1.com](http://www.probe1.com)

# TANDEM SUB, ADAPTER, CROSSOVER



O.D.	Body Length	Thread	Use	Part Number
3/4"	3-1/4"	Box 1/2"-20 Box.660-32	Tandem K4	405-002
3/4"	3-14"	Box 1/2"-20 Box.660-32	Tandem K4-T	405-005
1"	2-7/8"	Box 3/4"-16 Box.875-32	Bottom Sub K2	208-001
1"	4-5/16"	Box 3/4"-16 Box.871-32	Tandem K2-T	641-001
1"	11/16"	Pin 3/4"-16 Pin.875-32	T/meter Well adapter K2	209-002
1"	1-1/4"	Box 11/16"-32 Pin .875-32	Mid Section Adapter K2	646-001
1-1/4"	2-7/8"	Box 3/4"-16 Box 3/4"-16	Tandem KT/Sub-Bottom	654-002
1-1/4"	3"	Box 3/4"-16 Box 3/4"-16	Tandem KPG	10043-001
1-1/4"	2-3/8"	Box 3/4"-16 Pin 3/4"-16	Tandem KPG	10043-004
1-1/4"	1-1/4"	Pin 3/4"-16 Pin 3/4"-16	Tandem KPG	10043-005
1-1/4"	2-3/8"	Box 3/4"-16 Pin 5/8" API	X-over 1" to 1-1/4" K2	209-003
1-1/4"	2-3/8"	Box 3/4"-16 Pin 5/8" API	Tandem KPG	10043-003
1-1/4"	3-3/4"	Box 3/4"-16 Box 5/8" API	Tandem KPG	10044-002
1-1/4"	2-7/8"	Box 3/4"-16 Box 1.048-20	Bottom Sub K3	308-001
1-1/4"	4-1/2"	Box 3/4"-16 Box 1.082-20	Tandem K3-T	631-001
1-1/4"	3-1/4"	Box 3/4"-16 Box 1.082-20	Tandem-Oil Trap KPG	10043-002
1-1/4"	2-1/2"	Box 3/4"-16 Pin 1.070-32	Tube Jar Bottom Plug	11221-007
1-1/4"	4"	Box 3/4"-16 Box 1.112-24	Tandem Sampler	11504-001
1-1/4"	1-7/16"	Box 3/4"-16 Pin 1.114-24	Tandem KT	605-003
1-1/4"	1-7/16"	Pin 3/4"-16 Pin 1.114-24	Halliburton Sub KT	605-004
1-1/4"	1-1/16"	Pin 3/4"-16 Pin1.082-20	T/meter Well Adapter KPG	10041-002
1-1/4"	1"	Pin 3/4"-16 Pin 1.082-20	Top Sub Sampler	11539-001
1-1/4"	2"	Pin 3/4"-16 Box 1.082-20	Tandem KPG	10041-004
1-1/4"	1-5/8"	Pin 3/4"-16 Box 1/2"-20	Tandem	408-001
1-1/4"	1-7/8"	Pin 3/4"-16 Box 5/8"-18	Tube Jar Top Sub	11221-001
1-1/4"	3-3/4"	Box 5/8 API Box 5/8 API	Tandem KPG	10044-004
1-1/4"	2-3/8"	Box 5/8 API Pin 5/8 API	Tandem KPG	10044-001
1-1/4"	2-1/2"	Box 5/8 API Pin 1.070-32	Tube Jar Bottom Plug	11221-008
1-1/4"	3-3/4"	Box 5/8 API Box 1.082-20	Tandem-Oil Trap KPG	10044-003
1-1/4"	2"	Pin 5/8 API Box 1.082-20	Tandem sub KPG	10041-005
1-1/4"	1-7/8"	Pin 5/8 API Box 5/8-18	Tube Jar Sub Top	11221-002
1-1/4"	1"	Box .875-32 Pin 1.114-24/.902-32	Midsection Adapter KT	605-002
1-1/4"	1"	Box .875-32 Pin 1.114-24	Midsection Adapter K3-T	606-001
1-1/2"	1"	Box 3/4"-16 Pin 3/4"-16	Shock Absorber	10315-006
1-1/2"	1"	Box 3/4"-16 Pin 3/4"-16	Shock Absorber-Stainless	10316-006



**Kuster, a Probe Company**  
 2900 E. 29th Street, Long Beach, CA 90806  
[www.kusterco.com](http://www.kusterco.com)  
[www.probe1.com](http://www.probe1.com)